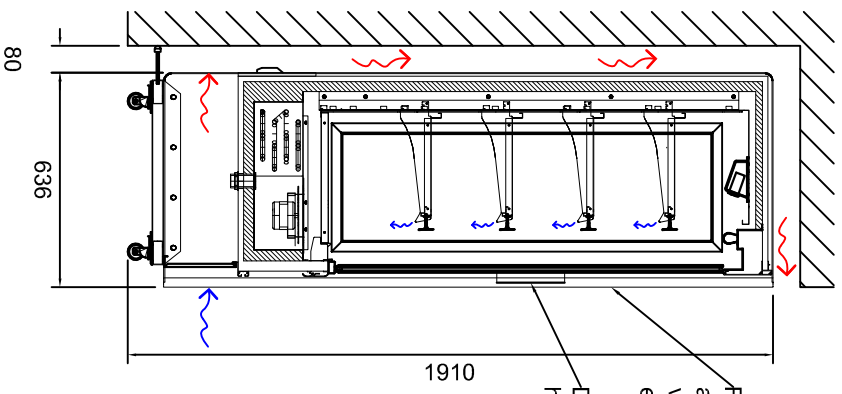
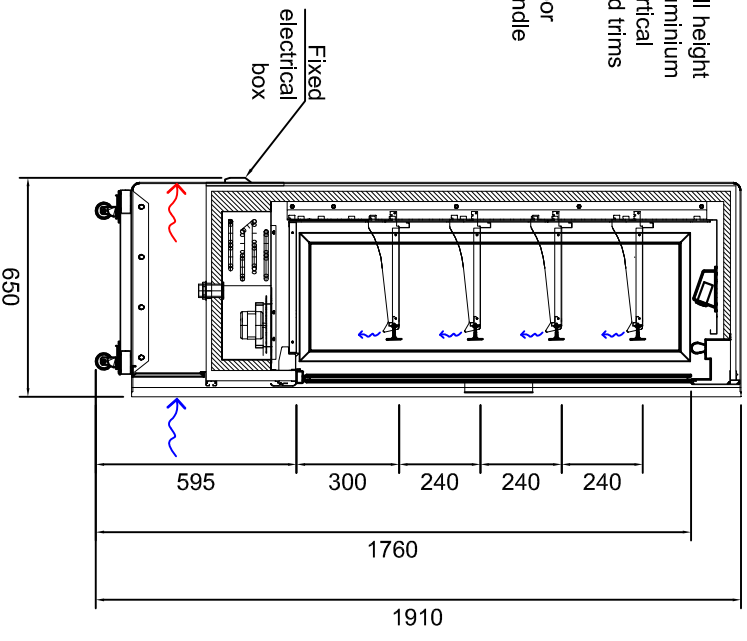


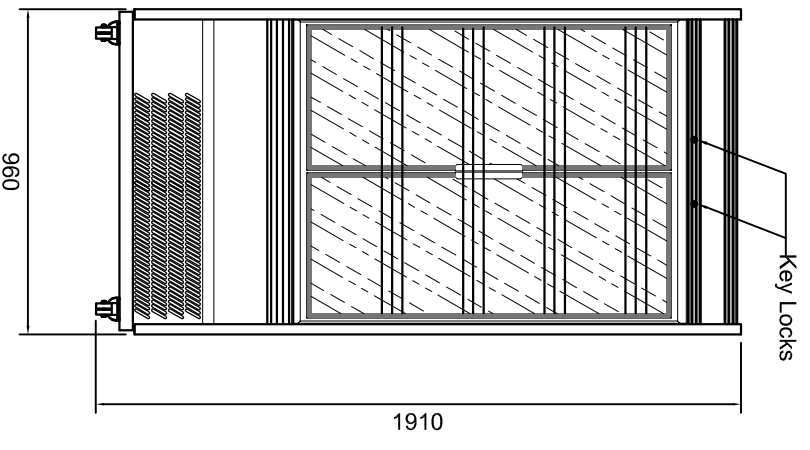
**Side Elevation
(Ventilation Space)**



**Side Elevation
(Shelving Heights)**



Front Elevation



WILLIAMS REFRIGERATION RETAIN COPYRIGHT ON THIS DRAWING.
DO NOT SCALE FROM DRAWING. USE MARKED DIMENSIONS.
WILLIAMS REFRIGERATION ARE TO BE NOTIFIED OF ANY DISCREPANCIES IMMEDIATELY.

Multideck requires a minimum ventilation void of 80mm behind and above unit for heat to escape.

Electrical supply: 1 Phase 13amp UK standard plug top.

Overall external dimensions - 960mm wide x 650mm deep x 1910mm high.
Weight 204kg (standard packaging).

Maximum operating ambient temperature +25 deg.c. (climate class 3).

Manufacturing dimensional tolerance +/- 3mm.

Multideck Features	
<input type="checkbox"/> W	White Finish
<input type="checkbox"/> S	Mirror Stainless Finish
<input checked="" type="checkbox"/> C	Castors
<input type="checkbox"/> F	Feet (For Remote Units Only)
<input type="checkbox"/> N	Nightblind
<input type="checkbox"/> S	Security Shutter
<input checked="" type="checkbox"/> D	Front Door (See options for type)
<input type="checkbox"/> RE	Remote Refrigeration Unit

Only checked features are included

Multideck Options	
<input checked="" type="checkbox"/> HC	Hydrocarbon Refrigerant
<input checked="" type="checkbox"/> HFD	Hinged Front Door(s)
<input type="checkbox"/> SFD	Sliding Front Doors
<input checked="" type="checkbox"/> LOC	Front Door Lock(s)
<input type="checkbox"/> SH	Additional Shelf
<input type="checkbox"/> SNB	Snack Basket (Hook On)
<input type="checkbox"/> TS	Tray Slide
<input type="checkbox"/> SRD	Solid Rear Loading Doors
<input checked="" type="checkbox"/> GRD	Glass Rear Loading Doors
<input type="checkbox"/> PG	Panoramic Glass Side Panels
<input type="checkbox"/> MT	Meat Temperature
<input type="checkbox"/> RAL	Coloured Finish (RAL)
<input type="checkbox"/> AV	Alternative Voltage

Only checked options are included

Williams Refrigeration Southern
44 Eldon Way, Padstock Wood
Kent, TN12 8BE

T: +44 (0) 1892 835325
F: +44 (0) 1892 835355
E: ashtnath@williams-southern.co.uk

Client:	Standard Product
Project:	Standard Product

Title: **G100-SCD HFD HC - G Series Multideck**
Hinged Front Door Model
Mirror Stainless Finish

Drawn By:	PPR	Date:	23/10/17
DWG No:	G100-SCD HFD HC		
REV:	-		