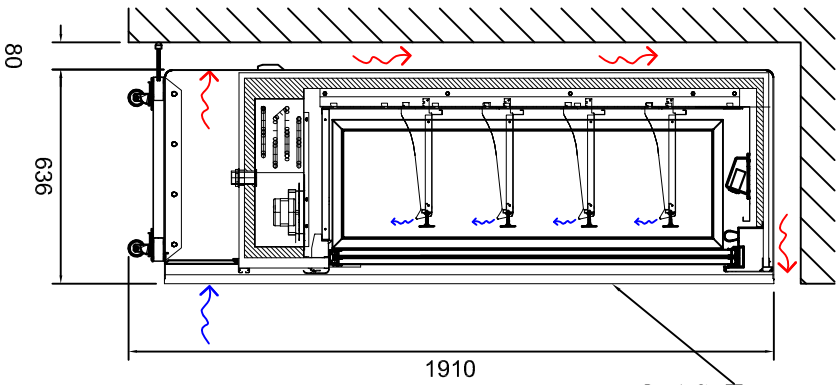
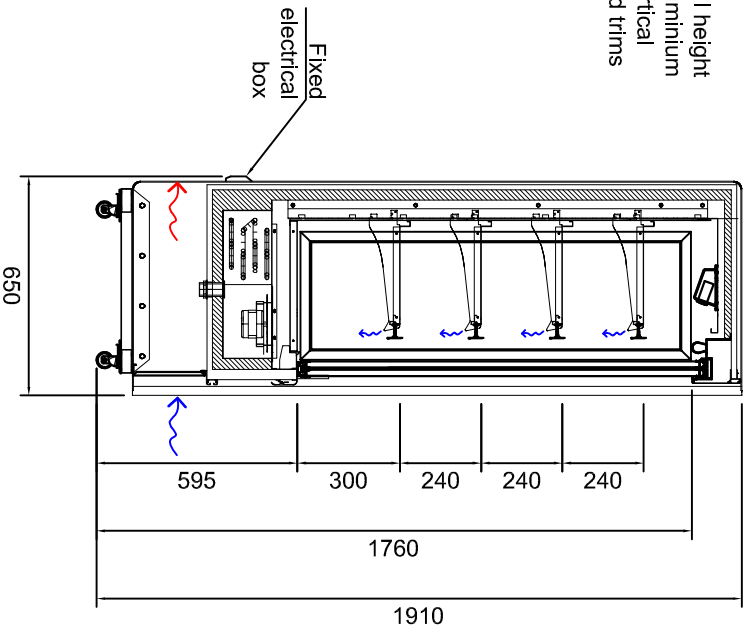


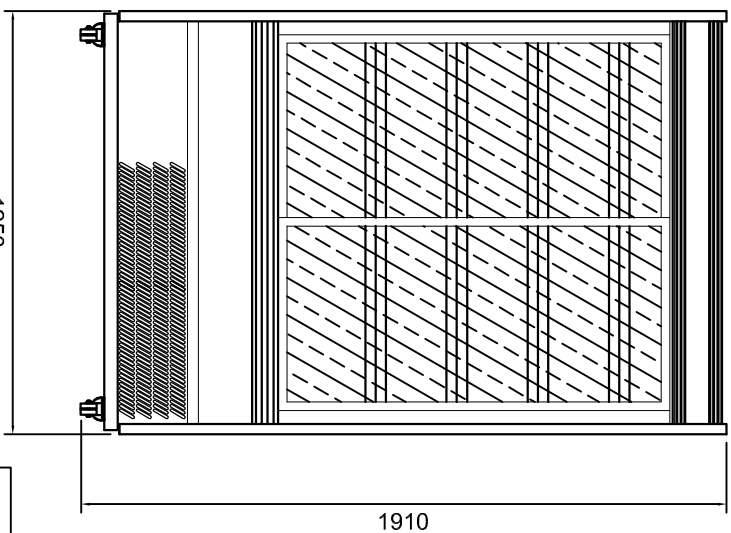
### Side Elevation (Ventilation Space)



### Side Elevation (Shelving Heights)



### Front Elevation



WILLIAMS REFRIGERATION RETAIN COPYRIGHT ON THIS DRAWING.  
DO NOT SCALE FROM DRAWING. USE MARKED DIMENSIONS.  
WILLIAMS REFRIGERATION ARE TO BE NOTIFIED OF ANY DISCREPANCIES IMMEDIATELY.

Multideck requires a minimum ventilation void of 80mm behind and above unit for heat to escape.

Electrical supply: 1 Phase  
13amp UK standard plug top.

Overall external dimensions - 1250mm wide x 650mm deep x 1910mm high.  
Weight 244kg (standard packaging).

Maximum operating ambient temperature +25 deg.c, (climate class 3).

Manufacturing dimensional tolerance +/- 3mm.

Multideck Features	
<input checked="" type="checkbox"/>	W White Finish
<input checked="" type="checkbox"/>	S Mirror Stainless Finish
<input checked="" type="checkbox"/>	C Castors
<input checked="" type="checkbox"/>	F Feet (For Remote Units Only)
<input checked="" type="checkbox"/>	N Nightblind
<input checked="" type="checkbox"/>	S Security Shutter
<input checked="" type="checkbox"/>	D Front Door (See options for type)
<input checked="" type="checkbox"/>	RE Remote Refrigeration Unit

Only checked features are included

Multideck Options	
<input checked="" type="checkbox"/>	HC Hydrocarbon Refrigerant
<input checked="" type="checkbox"/>	HFD Hinged Front Door(s)
<input checked="" type="checkbox"/>	SFD Sliding Front Doors
<input checked="" type="checkbox"/>	LOC Front Door Lock(s)
<input checked="" type="checkbox"/>	SH Additional Shelf
<input checked="" type="checkbox"/>	SNB Snack Basket (Hook On)
<input checked="" type="checkbox"/>	TS Tray Slide
<input checked="" type="checkbox"/>	SRD Solid Rear Loading Doors
<input checked="" type="checkbox"/>	GRD Glass Rear Loading Doors
<input checked="" type="checkbox"/>	PG Panoramic Glass Side Panels
<input checked="" type="checkbox"/>	MT Meat Temperature
<input checked="" type="checkbox"/>	RAL Coloured Finish (RAL)
<input checked="" type="checkbox"/>	AV Alternative Voltage

Only checked options are included

Williams Refrigeration Southern  
44 Eldon Way, Paddock Wood  
Kent, TN12 8BE

T: +44 (0) 1892 835325  
F: +44 (0) 1892 835355  
E: [ashraf@williams-southern.co.uk](mailto:ashraf@williams-southern.co.uk)

Client:	Standard Product
Project:	Standard Product

Title: **G125-WCD SFD HC - G Series Multideck Sliding Front Door Model White Finish**

Drawn By:	PPR	Date:	23/10/17
DWG No:	<b>G125-WCD SFD HC</b>		
REV:	-		